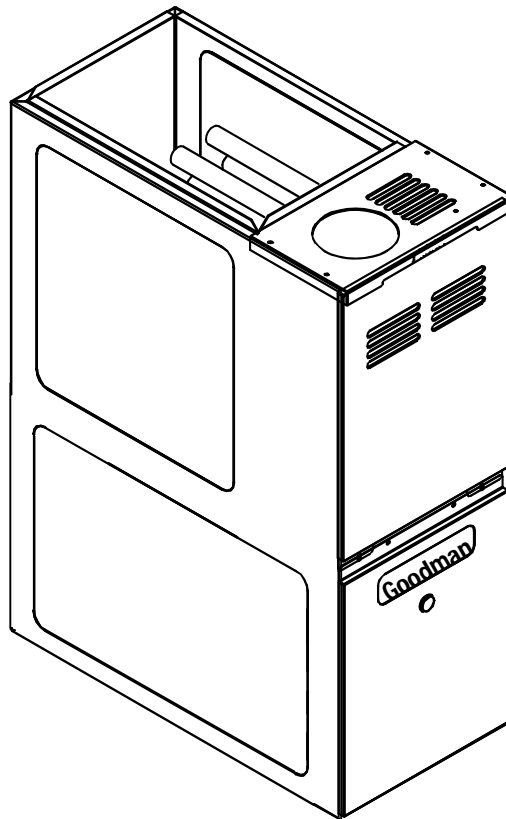




REPAIR PARTS

GMS8* Upflow/Horizontal/Single Stage/Multi-Speed 80% AFUE

GMS80453ANAA
GMS80453AXAA
GMS80703ANAA
GMS80703AXAA
GMS80704BNAA
GMS80704BXAA
GMS80903BNAA
GMS80904BNAA
GMS80904BXAA
GMS80905CNAA
GMS80905CXAA
GMS81155CNAA
GMS81155CXAA
GMS81405DNAA
GMS81405DXAA



Goodman Manufacturing Company, L.P.
2550 North Loop West, Suite 400
Houston Texas 77092

www.goodmanmfg.com

RP-246A
July 2004

Important Information

Index

Functional Parts List	3
Illustration and Parts	4 - 11

Views shown are for parts illustrations only, not servicing procedures

Revision A: Adds nox models GMS80703AXA, GMS80904BXA, and GMS81405DXA.

Text Codes:

AR - As Required

NA - Not Available

NS - Not Shown

00000000 - See Note

QTY - Quantity Example (QTY 3) (If Quantity not shown, Quantity = 1)

M - Model Example (M1) (If M Code not shown, then part is used on all Models)

Expanded Model Nomenclature:

Example

M1 - Model#1

M2 - Model#2

M3 - Model#3

Goodman Manufacturing Company, L.P. is not responsible for personal injury or property damage resulting from improper service. Review all service information before beginning repairs.

Warranty service must be performed by an authorized technician, using authorized factory parts. If service is required after the warranty expires, Goodman Manufacturing Company, L.P. also recommends contacting an authorized technician and using authorized factory parts.

Goodman Manufacturing Company, L.P. reserves the right to discontinue, or change at any time, specifications or designs without notice or without incurring obligations.

For assistance within the U.S.A. contact:

Consumer Affairs Department

Goodman Manufacturing Company, L.P.

7401 Security Way

Houston, Texas 77040

877-254-4729-Telephone

713-863-2382-Facsimile

For assistance outside the U.S.A. contact:

International Division

Goodman Manufacturing Company, L.P.

7401 Security Way

Houston, Texas 77040

713-861-2500-Telephone

713-863-2382-Facsimile

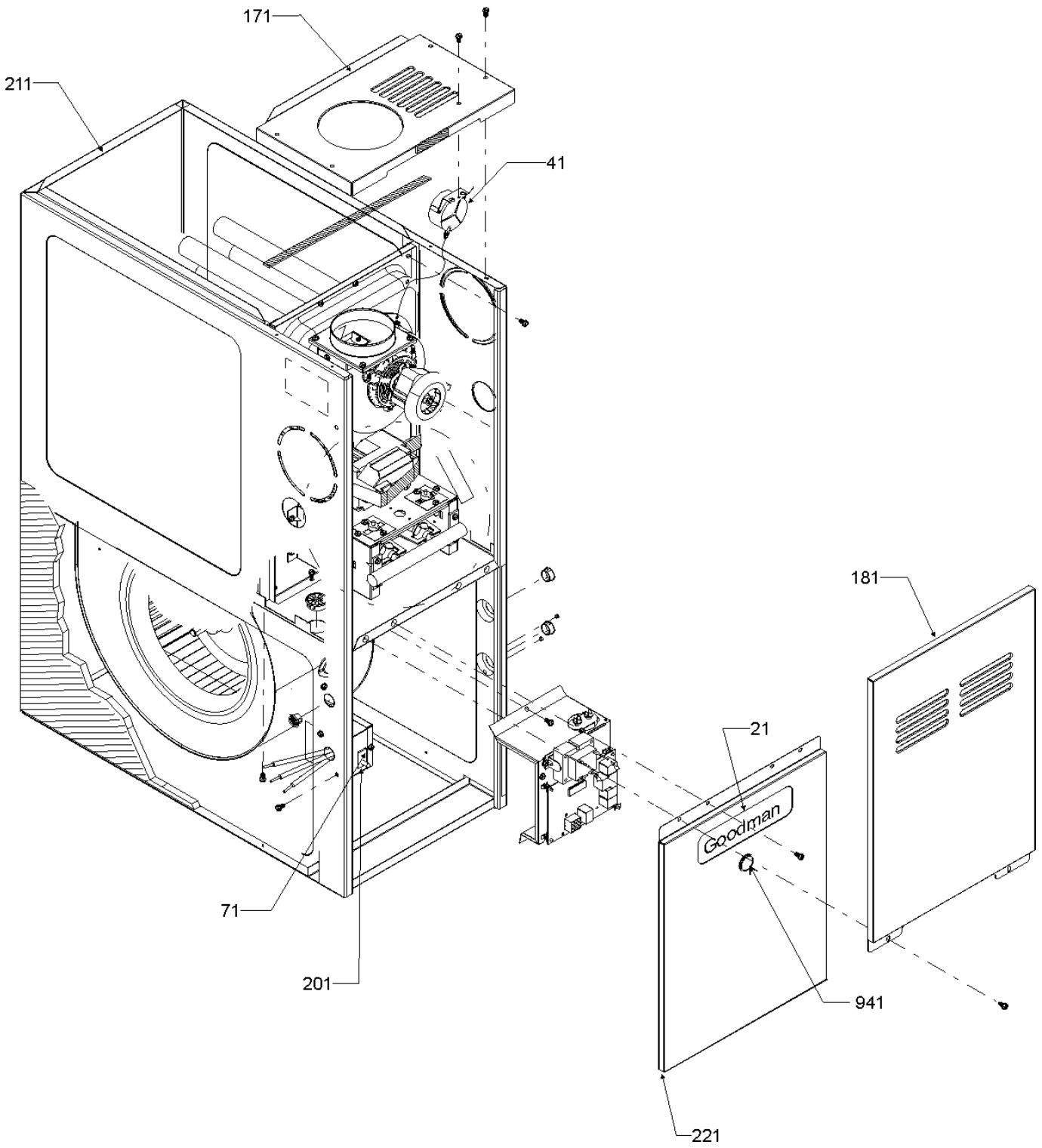
Functional Parts

Part No:

Description:

Part No:	Description:																	
B1370142	AIR PRESSURE SWITCH 0.60"WC (M1, M2, M3, M4, M5, M6, M7, M8, M9)	B1370189	SWITCH, PRIMARY LIMIT 200°F (M10, M11)															
B1370158	AIR PRESSURE SWITCH -0.70"WC (M10, M11, M12, M13)	B1141605	TRANSFORMER 120V TO 24V, 40VA															
B1370179	AIR PRESSURE SWITCH 0.75"WC (M14, M15)	0259F00000P	WIRE KIT															
0259F00006P	ASSY, WIRE HARNESS 12-PIN	SPECIAL PARTS																
B4068404	ASSY, WIRE HARNESS, IGN 2-PIN	HI-115A	HOMEOWNERS INSTRUCTIONS															
B1370155	AUXILIARY LIMIT SWITCH, 120F	IO-242D	INSTALLATION INSTRUCTIONS															
0130F00005S	BOARD, HSI INTEGRATED CONTROL	0161F00000P	NAMEPLATE, GOODMAN															
CAP125000370RP	CAPACITOR, 12.5 MFD/370V/ RD (M1, M2, M3, M4, M7)	RP-246A	REPAIR PARTS MANUAL															
CAP200000370RP	CAPACITOR, 20 MFD/370V/ RD (M5, M6, M8, M9, M10, M11, M12, M13)	4021310S	SUB ASSY, HEAT EXCHANGER 4 CELL, 21" (M10, M11)															
CAP250000370RP	CAPACITOR, 25 MFD/370V/ RD (M14, M15)	Expanded Model Nomenclature																
0130F00010	FLAME SENSOR	<table border="1"> <tr><td>M1 - GMS80453ANAA</td></tr> <tr><td>M2 - GMS80453AXAA</td></tr> <tr><td>M3 - GMS80703ANAA</td></tr> <tr><td>M4 - GMS80703AXAA</td></tr> <tr><td>M5 - GMS80704BNAA</td></tr> <tr><td>M6 - GMS80704BXAA</td></tr> <tr><td>M7 - GMS80903BNAA</td></tr> <tr><td>M8 - GMS80904BNAA</td></tr> <tr><td>M9 - GMS80904BXAA</td></tr> <tr><td>M10 - GMS80905CNAA</td></tr> <tr><td>M11 - GMS80905CXAA</td></tr> <tr><td>M12 - GMS81155CNAA</td></tr> <tr><td>M13 - GMS81155CXAA</td></tr> <tr><td>M14 - GMS81405DNAA</td></tr> <tr><td>M15 - GMS81405DXAA</td></tr> </table>		M1 - GMS80453ANAA	M2 - GMS80453AXAA	M3 - GMS80703ANAA	M4 - GMS80703AXAA	M5 - GMS80704BNAA	M6 - GMS80704BXAA	M7 - GMS80903BNAA	M8 - GMS80904BNAA	M9 - GMS80904BXAA	M10 - GMS80905CNAA	M11 - GMS80905CXAA	M12 - GMS81155CNAA	M13 - GMS81155CXAA	M14 - GMS81405DNAA	M15 - GMS81405DXAA
M1 - GMS80453ANAA																		
M2 - GMS80453AXAA																		
M3 - GMS80703ANAA																		
M4 - GMS80703AXAA																		
M5 - GMS80704BNAA																		
M6 - GMS80704BXAA																		
M7 - GMS80903BNAA																		
M8 - GMS80904BNAA																		
M9 - GMS80904BXAA																		
M10 - GMS80905CNAA																		
M11 - GMS80905CXAA																		
M12 - GMS81155CNAA																		
M13 - GMS81155CXAA																		
M14 - GMS81405DNAA																		
M15 - GMS81405DXAA																		
B4026005	GAS MANIFOLD, 2 CELL (M1, M2)																	
B4026006	GAS MANIFOLD, 3 CELL (M3, M4, M5, M6)																	
B4026007	GAS MANIFOLD, 4 CELL (M7, M8, M9, M10, M11)																	
B4026008	GAS MANIFOLD, 5 CELL (M12, M13)																	
B4026009	GAS MANIFOLD, 6 CELL (M14, M15)																	
B1282628	GAS VALVE																	
20165703S	IGNITOR																	
B4022700	INSHOT BURNER 3" (QTY AR)																	
B1370818	INTERLOCK SWITCH																	
20046618S	MOTOR, BLOWER 3/4 HP (M14, M15)																	
B1340024S	MOTOR, DIRECT DRIVE 1/2 HP, 4 SP, 6 PL (M5, M6, M8, M9, M10, M11, M12, M13)																	
B1340025S	MOTOR, DIRECT DRIVE 1/3 HP, 4 SP, 6 PL (M1, M2, M3, M4, M7)																	
0131M00002S	MOTOR, VENT																	
10716003	ORIFICE (QTY 2)																	
4021300S	SUB ASSY, HEAT EXCHANGER 2 CELL, 14" (M1, M2)																	
4021307S	SUB ASSY, HEAT EXCHANGER 3 CELL, 14" (M3, M4)																	
4021308S	SUB ASSY, HEAT EXCHANGER 3 CELL, 17.5" (M5, M6)																	
4021309S	SUB ASSY, HEAT EXCHANGER 4 CELL, 17.5" (M7, M8, M9)																	
4021311S	SUB ASSY, HEAT EXCHANGER 5 CELL, 21" (M12, M13)																	
4021312S	SUB ASSY, HEAT EXCHANGER 6 CELL, 24.5" (M14, M15)																	
B1370198	SWITCH, PRIMARY LIMIT 150°F (M7, M12, M13, M14, M15)																	
B1370187	SWITCH, PRIMARY LIMIT 160°F (M3, M4)																	
B1370188	SWITCH, PRIMARY LIMIT 170°F (M5, M6, M8, M9)																	

Cabinet



Cabinet

**Ref. Part
No: No:**

Description:

**Ref. Part
No: No:**

Description:

Image 1:

21	0161F00000P	NAMEPLATE, GOODMAN
41	B1370142	AIR PRESSURE SWITCH 0.60"WC (M1, M2, M3, M4, M5, M6, M7, M8, M9)
41	B1370158	AIR PRESSURE SWITCH -0.70"WC (M10, M11, M12, M13)
41	B1370179	AIR PRESSURE SWITCH 0.75"WC (M14, M15)
71	B1370818	INTERLOCK SWITCH
171	0221F00000PDG	TOP 14" (M1, M2, M3, M4)
171	0221F00001PDG	TOP 17.5" (M5, M6, M7, M8, M9)
171	0221F00002PDG	TOP 21" (M10, M11, M12, M13)
171	0221F00003PDG	TOP 24.5" (M14, M15)
181	0221F00004PDG	DOOR, CONTROL ACCESS 14" (M1, M2, M3, M4)
181	0221F00005PDG	DOOR, CONTROL ACCESS 17.5" (M5, M6, M7, M8, M9)
181	0221F00006PDG	DOOR, CONTROL ACCESS 21" (M10, M11, M12, M13)
181	0221F00007PDG	DOOR, CONTROL ACCESS 24.5" (M14, M15)
201	4014502	J-BOX
201	4015502	J-BOX COVER
211	0270F00010P	INSULATED ASSY, WRAPPER 14" (M1, M2, M3, M4)
211	0270F00011P	INSULATED ASSY, WRAPPER 17.5" (M5, M6, M7, M8, M9)
211	0270F00012P	INSULATED ASSY, WRAPPER 21" (M10, M11, M12, M13)
211	0270F00013P	INSULATED ASSY, WRAPPER 24.5" (M14, M15)
221	0221F00011PDG	DOOR, BLOWER ACCESS 14" (M1, M2, M3, M4)
221	0221F00012PDG	DOOR, BLOWER ACCESS 17.5" (M5, M6, M7, M8, M9)
221	0221F00013PDG	DOOR, BLOWER ACCESS 21" (M10, M11, M12, M13)
221	0221F00014PDG	DOOR, BLOWER ACCESS 24.5" (M14, M15)
941	B1392139	VIEW PORT BUSHING-BLOWER DOOR
NS	A3468601	HOSE, PRESSURE SWITCH
NS	1819000	SOLID BOTTOM 14" CASE (M1, M2, M3, M4)
NS	1819001	SOLID BOTTOM 17.5" CASE (M5, M6, M7, M8, M9)
NS	1819002	SOLID BOTTOM 21" CASE (M10, M11, M12, M13)
NS	1819003	SOLID BOTTOM 24.5" CASE (M14, M15)

Expanded Model Nomenclature

M1 - GMS80453ANAA
M2 - GMS80453AXAA
M3 - GMS80703ANAA
M4 - GMS80703AXAA
M5 - GMS80704BNAA
M6 - GMS80704BXAA
M7 - GMS80903BNAA
M8 - GMS80904BNAA
M9 - GMS80904BXAA
M10 - GMS80905CNAA
M11 - GMS80905CXAA
M12 - GMS81155CNAA
M13 - GMS81155CXAA
M14 - GMS81405DNAA
M15 - GMS81405DXAA

Blower Assembly

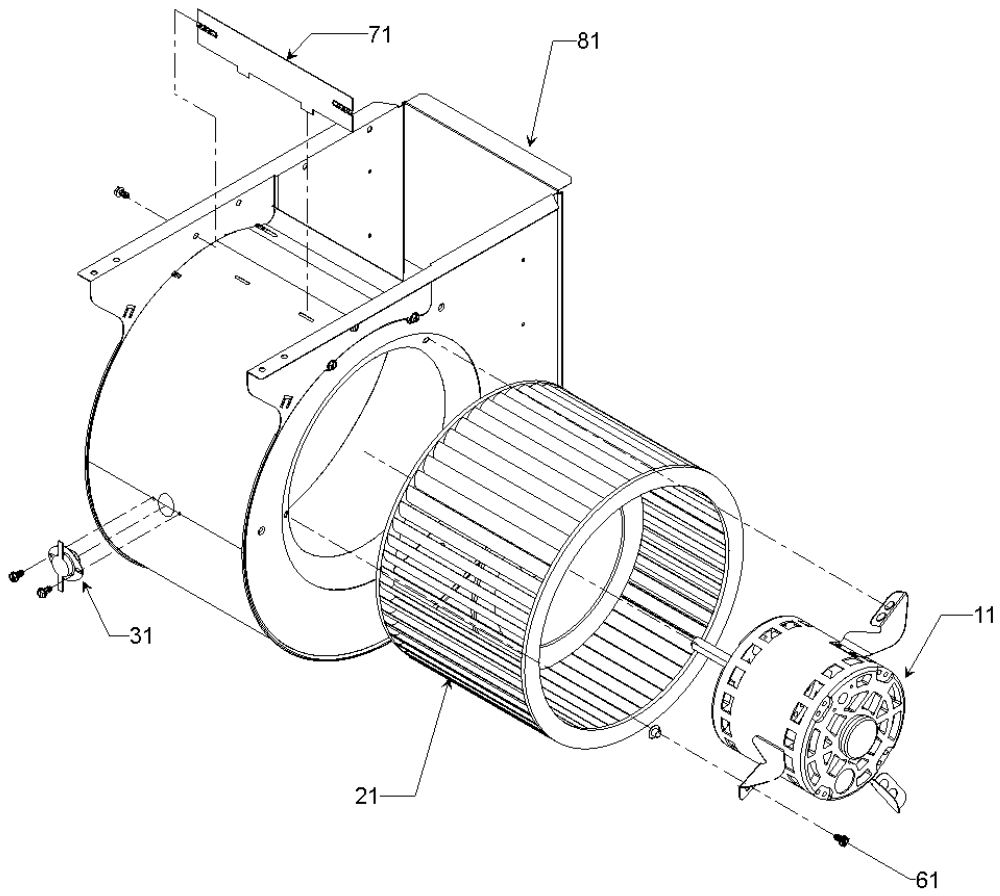
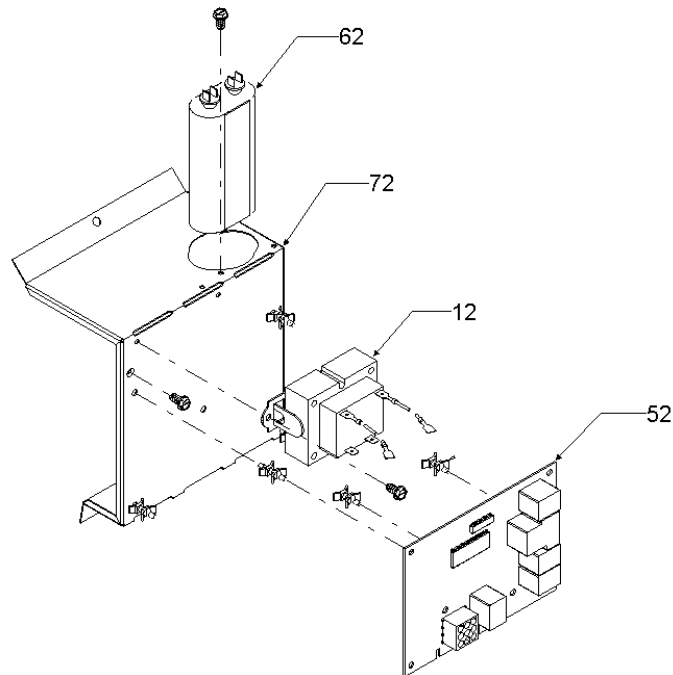


Image 1

Image 2



Blower Assembly

Ref. Part No:	Ref. Part No:	Description:	Description:
---------------	---------------	--------------	--------------

Image 1:

11	20046618S	MOTOR, BLOWER 3/4 HP (M14, M15)
11	B1340024S	MOTOR, DIRECT DRIVE 1/2 HP, 4 SP, 6 PL (M5, M6, M8, M9, M10, M11, M12, M13)
11	B1340025S	MOTOR, DIRECT DRIVE 1/3 HP, 4 SP, 6 PL (M1, M2, M3, M4, M7)
21	B1368047A	BLOWER WHEEL (10 X 10) (M10, M11, M12, M13, M14, M15)
21	B1368034S	BLOWER WHEEL (10 X 6) (M1, M2, M3, M4)
21	B1368016S	BLOWER WHEEL (10 X 8) (M5, M6, M8, M9)
21	B1368058S	BLOWER WHEEL (10 X 8) (M7)
31	B1370155	AUXILIARY LIMIT SWITCH, 120F
61	B1393331	MACHINE SCREW, 1/4-20 TYPE F SLOTTED (QTY 3)
71	764741	BLOWER BLOCK-OFF 10 X 10 (M10, M11, M12, M13, M14, M15)
71	764739	BLOWER BLOCK-OFF 10 X 6 (M1, M2, M3, M4)
71	764740	BLOWER BLOCK-OFF 10 X 8 (M5, M6, M7, M8, M9)
81	2539307S	ASSY, BLOWER SHELL 10 X 10 (M10, M11, M12, M13, M14, M15)
81	2539305S	ASSY, BLOWER SHELL 10 X 6 (M1, M2, M3, M4)
81	2539306S	ASSY, BLOWER SHELL 10 X 8 (M5, M6, M7, M8, M9)
NS	0259F00006P	ASSY, WIRE HARNESS 12-PIN
NS	B4068404	ASSY, WIRE HARNESS, IGN 2-PIN

Image 2:

12	B1141605	TRANSFORMER 120V TO 24V, 40VA
52	0130F00005S	BOARD, HSI INTEGRATED CONTROL
62	CAP125000370RP	CAPACITOR, 12.5 MFD/370V/ RD (M1, M2, M3, M4, M7)
62	CAP200000370RP	CAPACITOR, 20 MFD/370V/ RD (M5, M6, M8, M9, M10, M11, M12, M13)
62	CAP250000370RP	CAPACITOR, 25 MFD/370V/ RD (M14, M15)
72	1815817	CONTROL MOUNT PANEL

Expanded Model Nomenclature

M1 - GMS80453ANAA
M2 - GMS80453AXAA
M3 - GMS80703ANAA
M4 - GMS80703AXAA
M5 - GMS80704BNAA
M6 - GMS80704BXAA
M7 - GMS80903BNAA
M8 - GMS80904BNAA
M9 - GMS80904BXAA
M10 - GMS80905CNAA
M11 - GMS80905CXAA
M12 - GMS81155CNAA
M13 - GMS81155CXAA
M14 - GMS81405DNAA
M15 - GMS81405DXAA

Heat Exchanger Assy / Flue Collector Box

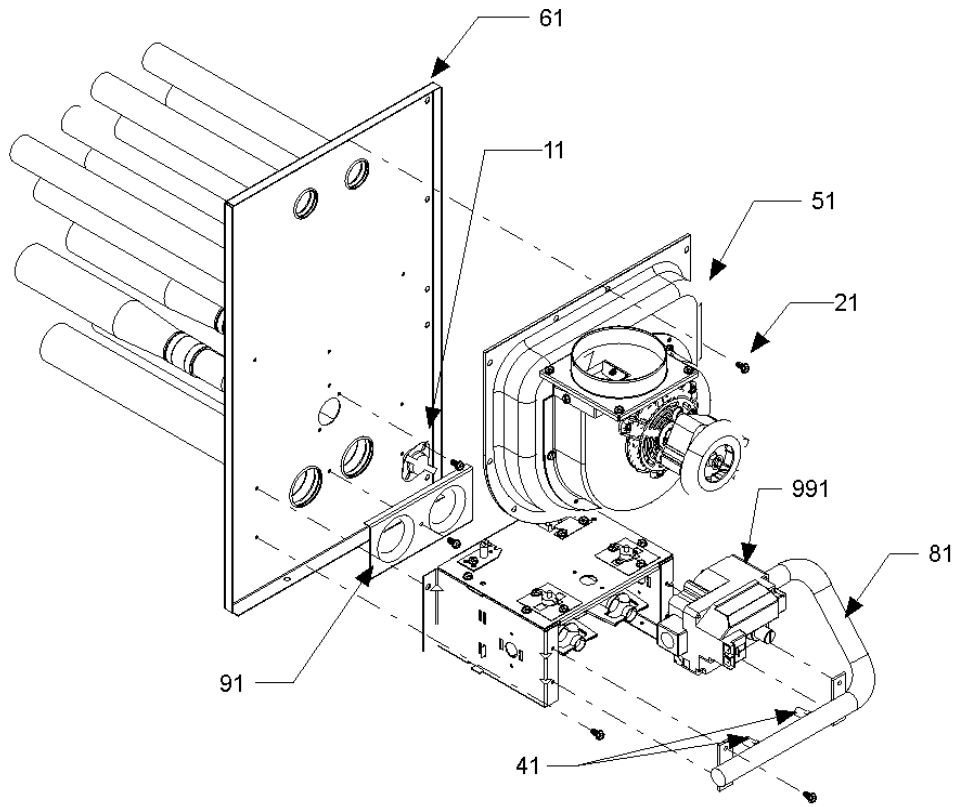
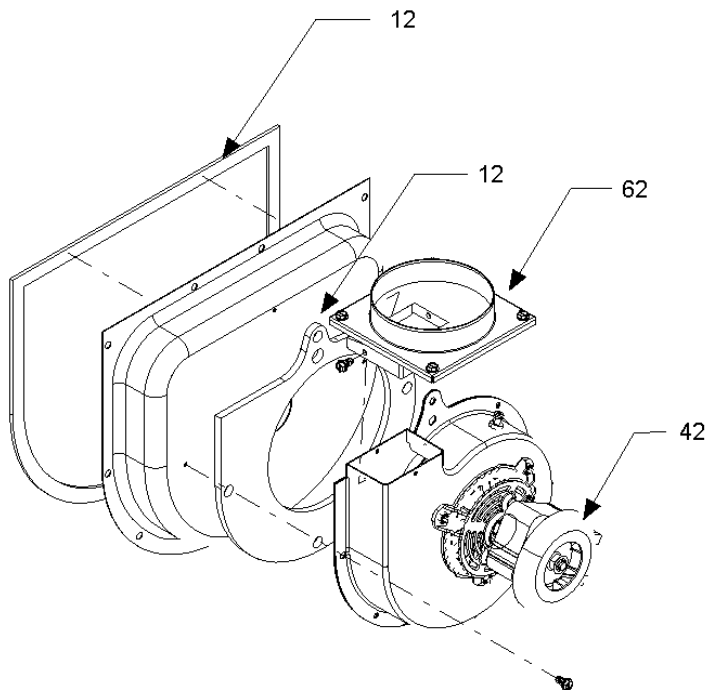


Image 1

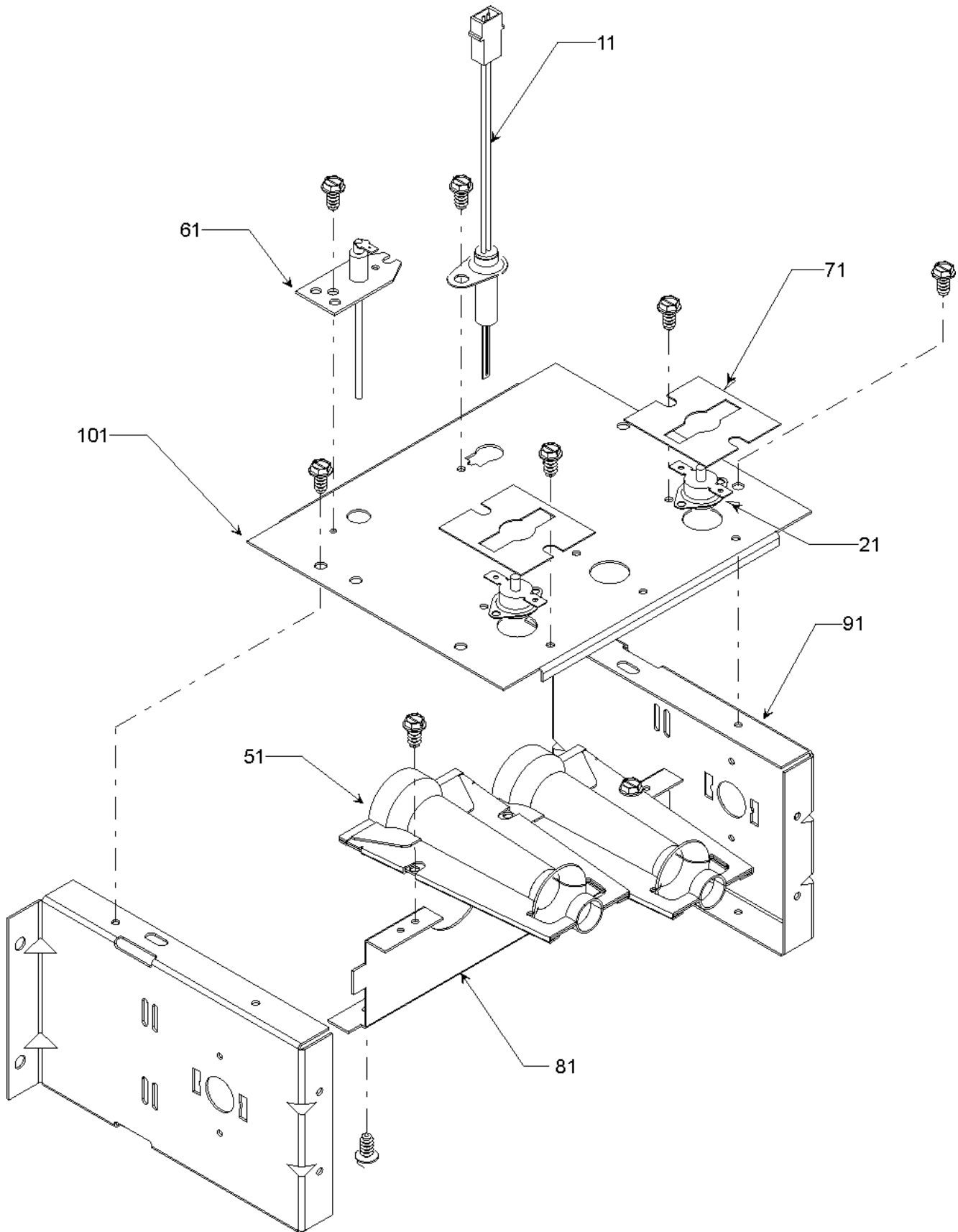
Image 2



Heat Exchanger Assy / Flue Collector Box

Ref. Part No:	No:	Description:	Ref. Part No:	No:	Description:															
<i>Image 1:</i>			42	0131M00002S	MOTOR, VENT															
11	B1370198	SWITCH, PRIMARY LIMIT 150°F (M7, M12, M13, M14, M15)	62	4053501S	CHIMNEY ASSEMBLY															
11	B1370187	SWITCH, PRIMARY LIMIT 160°F (M3, M4)	Expanded Model Nomenclature																	
11	B1370188	SWITCH, PRIMARY LIMIT 170°F (M5, M6, M8, M9)	<table border="1"> <tr><td>M1 - GMS80453ANAA</td></tr> <tr><td>M2 - GMS80453AXAA</td></tr> <tr><td>M3 - GMS80703ANAA</td></tr> <tr><td>M4 - GMS80703AXAA</td></tr> <tr><td>M5 - GMS80704BNAA</td></tr> <tr><td>M6 - GMS80704BXAA</td></tr> <tr><td>M7 - GMS80903BNAA</td></tr> <tr><td>M8 - GMS80904BNAA</td></tr> <tr><td>M9 - GMS80904BXAA</td></tr> <tr><td>M10 - GMS80905CNAA</td></tr> <tr><td>M11 - GMS80905CXAA</td></tr> <tr><td>M12 - GMS81155CNAA</td></tr> <tr><td>M13 - GMS81155CXAA</td></tr> <tr><td>M14 - GMS81405DNAA</td></tr> <tr><td>M15 - GMS81405DXAA</td></tr> </table>			M1 - GMS80453ANAA	M2 - GMS80453AXAA	M3 - GMS80703ANAA	M4 - GMS80703AXAA	M5 - GMS80704BNAA	M6 - GMS80704BXAA	M7 - GMS80903BNAA	M8 - GMS80904BNAA	M9 - GMS80904BXAA	M10 - GMS80905CNAA	M11 - GMS80905CXAA	M12 - GMS81155CNAA	M13 - GMS81155CXAA	M14 - GMS81405DNAA	M15 - GMS81405DXAA
M1 - GMS80453ANAA																				
M2 - GMS80453AXAA																				
M3 - GMS80703ANAA																				
M4 - GMS80703AXAA																				
M5 - GMS80704BNAA																				
M6 - GMS80704BXAA																				
M7 - GMS80903BNAA																				
M8 - GMS80904BNAA																				
M9 - GMS80904BXAA																				
M10 - GMS80905CNAA																				
M11 - GMS80905CXAA																				
M12 - GMS81155CNAA																				
M13 - GMS81155CXAA																				
M14 - GMS81405DNAA																				
M15 - GMS81405DXAA																				
11	B1370189	SWITCH, PRIMARY LIMIT 200°F (M10, M11)																		
11	B1370190	SWITCH, PRIMARY LIMIT 210°F (M1, M2)																		
41	10716003	ORIFICE (QTY 2)																		
51	4010012S	FLUE COLLECTOR BOX 14" 1.500 DIA MOD A (M1, M2)																		
51	4010013S	FLUE COLLECTOR BOX 14" 2.000 DIA MOD A (M3, M4)																		
51	4010014S	FLUE COLLECTOR BOX 17.5" 2.000 MOD A (M5, M6)																		
51	4010015S	FLUE COLLECTOR BOX 17.5" 2.000 MOD A (M7, M8, M9)																		
51	4010017S	FLUE COLLECTOR BOX 21" 2.250 DIA MOD A (M12, M13)																		
51	4010016S	FLUE COLLECTOR BOX 21", 2.000" DIA MOD A (M10, M11)																		
51	4010018S	FLUE COLLECTOR BOX 24.5" 3.625 DIA MOD A (M14, M15)																		
61	4021300S	SUB ASSY, HEAT EXCHANGER 2 CELL, 14" (M1, M2)																		
61	4021307S	SUB ASSY, HEAT EXCHANGER 3 CELL, 14" (M3, M4)																		
61	4021308S	SUB ASSY, HEAT EXCHANGER 3 CELL, 17.5" (M5, M6)																		
61	4021309S	SUB ASSY, HEAT EXCHANGER 4 CELL, 17.5" (M7, M8, M9)																		
61	4021310S	SUB ASSY, HEAT EXCHANGER 4 CELL, 21" (M10, M11)																		
61	4021311S	SUB ASSY, HEAT EXCHANGER 5 CELL, 21" (M12, M13)																		
61	4021312S	SUB ASSY, HEAT EXCHANGER 6 CELL, 24.5" (M14, M15)																		
81	B4026005	GAS MANIFOLD, 2 CELL (M1, M2)																		
81	B4026006	GAS MANIFOLD, 3 CELL (M3, M4, M5, M6)																		
81	B4026007	GAS MANIFOLD, 4 CELL (M7, M8, M9, M10, M11)																		
81	B4026008	GAS MANIFOLD, 5 CELL (M12, M13)																		
81	B4026009	GAS MANIFOLD, 6 CELL (M14, M15)																		
91	4028000	ORIFICE PLATE, 2 CELL (M1, M2)																		
91	4028001	ORIFICE PLATE, 3 CELL (M3, M4, M5, M6)																		
91	4028002	ORIFICE PLATE, 4 CELL (M7, M8, M9, M10, M11)																		
91	4028003	ORIFICE PLATE, 5 CELL (M12, M13)																		
91	4028004	ORIFICE PLATE, 6 CELL (M14, M15)																		
991	B1282628	GAS VALVE																		
<i>Image 2:</i>																				
12	B1392633	GASKET, VENT MOTOR 14" (M1, M2, M3, M4)																		
12	B1392634	GASKET, VENT MOTOR 17.5" (M5, M6, M7, M8, M9)																		
12	B1392635	GASKET, VENT MOTOR 21" (M10, M11, M12, M13)																		
12	B1392636	GASKET, VENT MOTOR 24.5" (M14, M15)																		

Burner Box



Burner Box

Ref. Part No:	No:	Description:	Ref. Part No:	No:	Description:
<i>Image 1:</i>					
11	20165703S	IGNITOR			
21	B1370145	ROLLOUT SWITCH, 300°F W/O BRACKET (QTY 2)			
51	B4022700	INSHOT BURNER 3" (QTY AR)			
61	0130F00010	FLAME SENSOR			
71	2509503	BRACKET, ROLLOUT SWITCH (QTY 2)			
81	2513500	BURNER RACK, 2 CELL (M1, M2)			
81	2513501	BURNER RACK, 3 CELL (M3, M4, M5, M6)			
81	2513502	BURNER RACK, 4 CELL (M7, M8, M9, M10, M11)			
81	2513503	BURNER RACK, 5 CELL (M12, M13)			
81	2513504	BURNER RACK, 6 CELL (M14, M15)			
91	2514000	SIDE PLATE, BURNER BOX (QTY 2)			
101	4013010	TOP, BURNER BOX 2 CELL (M1, M2)			
101	4013011	TOP, BURNER BOX 3 CELL (M3, M4, M5, M6)			
101	4013012	TOP, BURNER BOX 4 CELL (M7, M8, M9, M10, M11)			
101	4013013	TOP, BURNER BOX 5 CELL (M12, M13)			
101	4013014	TOP, BURNER BOX 6 CELL (M14, M15)			

Expanded Model Nomenclature

M1 - GMS80453ANAA
M2 - GMS80453AXAA
M3 - GMS80703ANAA
M4 - GMS80703AXAA
M5 - GMS80704BNAA
M6 - GMS80704BXAA
M7 - GMS80903BNAA
M8 - GMS80904BNAA
M9 - GMS80904BXAA
M10 - GMS80905CNAA
M11 - GMS80905CXAA
M12 - GMS81155CNAA
M13 - GMS81155CXAA
M14 - GMS81405DNAA
M15 - GMS81405DXAA